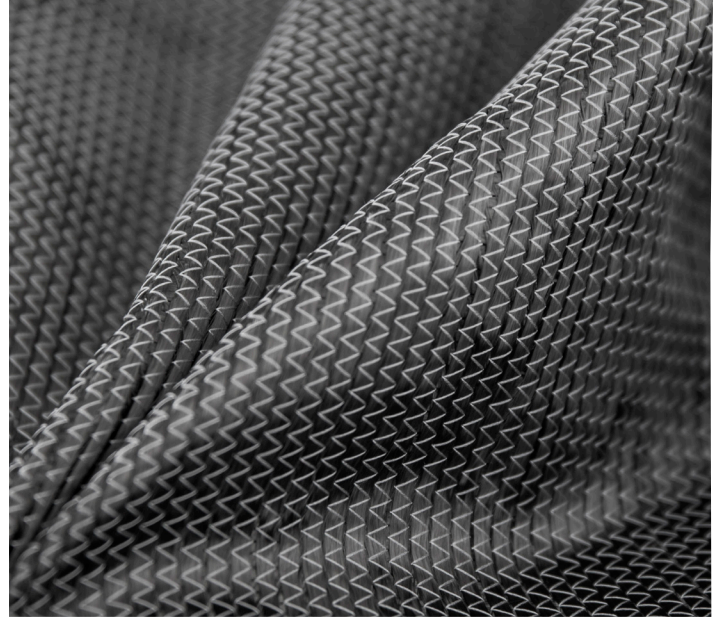


ZOLTEK™ PX35 MULTI-DIRECTIONAL FABRICS

DESCRIPTION

ZOLTEK PX35 Multi-Axial Fabric is produced from our ZOLTEK PX35 continuous carbon fiber tow. Unique fiber spreading techniques are utilized to obtain a wide range of MD fabric weights for a varied set of composite part applications. Quick composite part build-up is cost effectively achieved with our diverse weight range of low-cost carbon fiber products. Drapable fabric construction, ideal for complex shape preforms. Pillar and Tricot stitching patterns available.



APPLICATIONS

- Automotive
- Marine
- Aircraft
- Infrastructure

RECOMMENDED USE

- Body Panels (Interior/Exterior)
- Components/Undercarriage
- Reinforcement

+/- 45° FABRIC ARCHITECTURE

| Material | Fiber Orientation | Nominal Weights g/m ² (oz) | | |
|------------------|-------------------|---------------------------------------|------------|------------|
| | | MD 300 | MD 500 | MD 600 |
| ZOLTEK PX35 50K | +45° | 150 (4.42) | 250 (7.37) | 300 (8.85) |
| ZOLTEK PX35 50K | -45° | 150 (4.42) | 250 (7.37) | 300 (8.85) |
| Polyester Stitch | - | 4 (.118) | 7 (.206) | 8 (.235) |
| Total | - | 304 (8.9) | 507 (14.9) | 608 (17.9) |

0/90° FABRIC ARCHITECTURE

| Material | Fiber Orientation | Nominal Weights g/m ² (oz) | | |
|------------------|-------------------|---------------------------------------|------------|------------|
| | | MD 300 | MD 500 | MD 600 |
| ZOLTEK PX35 50K | 0° | 150 (4.42) | 250 (7.37) | 300 (8.85) |
| ZOLTEK PX35 50K | 90° | 150 (4.42) | 250 (7.37) | 300 (8.85) |
| Polyester Stitch | - | 4 (.118) | 7 (.206) | 8 (.235) |
| Total | - | 304 (8.9) | 507 (14.9) | 608 (17.9) |

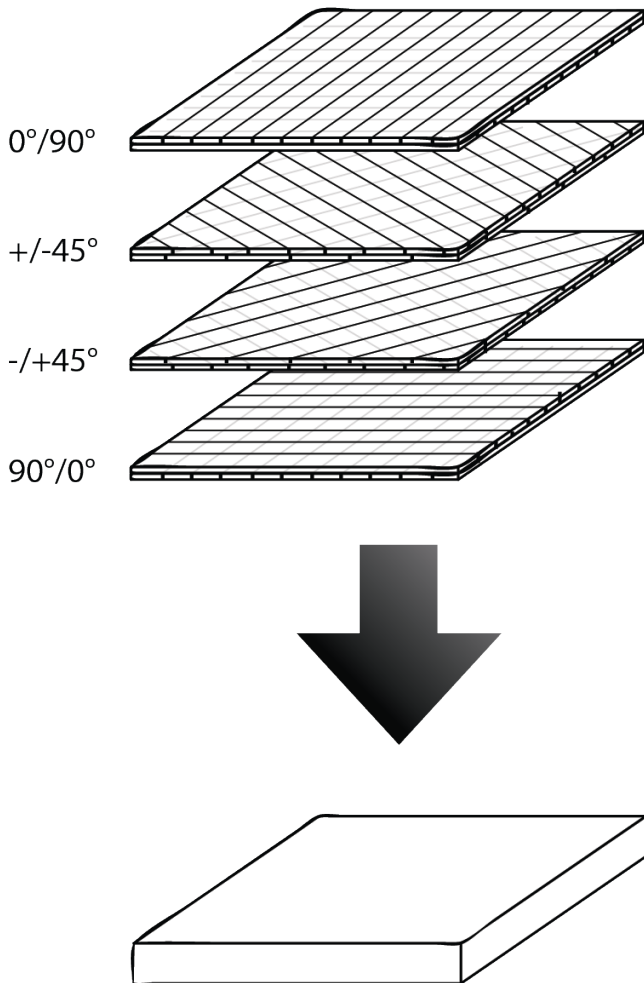
The properties listed in this datasheet do not constitute any warranty or guarantee of values. This information should only be used for the purposes of material selection. Please contact us for more details.



ZOLTEK™ PX35 MULTI-DIRECTIONAL FABRICS

| MATERIAL FIBER PROPERTIES | SI | US |
|---------------------------|----------------|--------------------------|
| Tensile Strength | 4,137 MPa | 600 ksi |
| Tensile Modulus | 242 GPa | 35 msi |
| Electrical Conductivity | 0.00155 ohm-cm | 0.00061 ohm-in |
| Density | 1.81 g/cc | 0.065 lb/in ³ |
| Fiber Diameter | 7.2 microns | 0.000283 in |
| Carbon Content | 95% | |

The properties listed in this datasheet do not constitute any warranty or guarantee of values. This information should only be used for the purposes of material selection. Please contact us for more details.



TYPICAL PACKAGING

Wound on a cardboard cone, sealed in polyethylene bag, and placed in a cardboard box. Rolls stacked horizontally on pallets when shipping.

Standard Width: 1,270 mm +/- 20

Standard Roll Length: 50 m

+ Custom widths and roll lengths may be available upon request.

++ 300 gsm & 600 gsm rolls are available in 310 mm widths.

CERTIFICATION

ZOLTEK PX35 Fabrics are manufactured in accordance with ZOLTEK's written and published data. A Certificate of Conformance is provided with each shipment.

SAFETY

Obtain, read, and understand the Material Safety Data Sheet (SDS) before use of this or any other ZOLTEK product.

