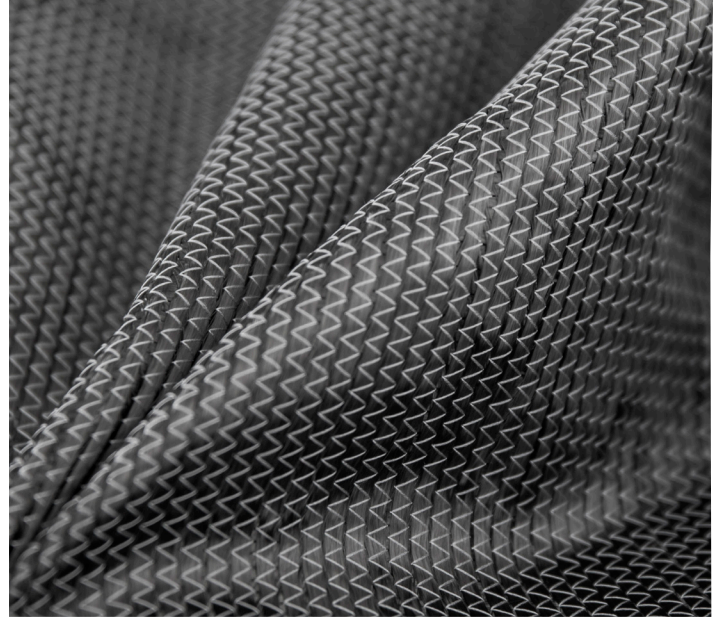


# ZOLTEK™ PX35 MULTI-DIRECTIONAL FABRICS

## DESCRIPTION

ZOLTEK PX35 Multi-Axial Fabric is produced from our ZOLTEK PX35 continuous carbon fiber tow. Unique fiber spreading techniques are utilized to obtain a wide range of MD fabric weights for a varied set of composite part applications. Quick composite part build-up is cost effectively achieved with our diverse weight range of low-cost carbon fiber products. Drapable fabric construction, ideal for complex shape preforms. Pillar and Tricot stitching patterns available.



## APPLICATIONS

- Automotive
- Marine
- Aircraft
- Infrastructure

## RECOMMENDED USE

- Body Panels (Interior/Exterior)
- Components/Undercarriage
- Reinforcement

### +/- 45° FABRIC ARCHITECTURE

Material	Fiber Orientation	Nominal Weights g/m <sup>2</sup> (oz)		
		MD 300	MD 500	MD 600
ZOLTEK PX35 50K	+45°	150 (4.42)	250 (7.37)	300 (8.85)
ZOLTEK PX35 50K	-45°	150 (4.42)	250 (7.37)	300 (8.85)
Polyester Stitch	-	4 (.118)	7 (.206)	8 (.235)
Total	-	304 (8.9)	507 (14.9)	608 (17.9)

### 0/90° FABRIC ARCHITECTURE

Material	Fiber Orientation	Nominal Weights g/m <sup>2</sup> (oz)		
		MD 300	MD 500	MD 600
ZOLTEK PX35 50K	0°	150 (4.42)	250 (7.37)	300 (8.85)
ZOLTEK PX35 50K	90°	150 (4.42)	250 (7.37)	300 (8.85)
Polyester Stitch	-	4 (.118)	7 (.206)	8 (.235)
Total	-	304 (8.9)	507 (14.9)	608 (17.9)

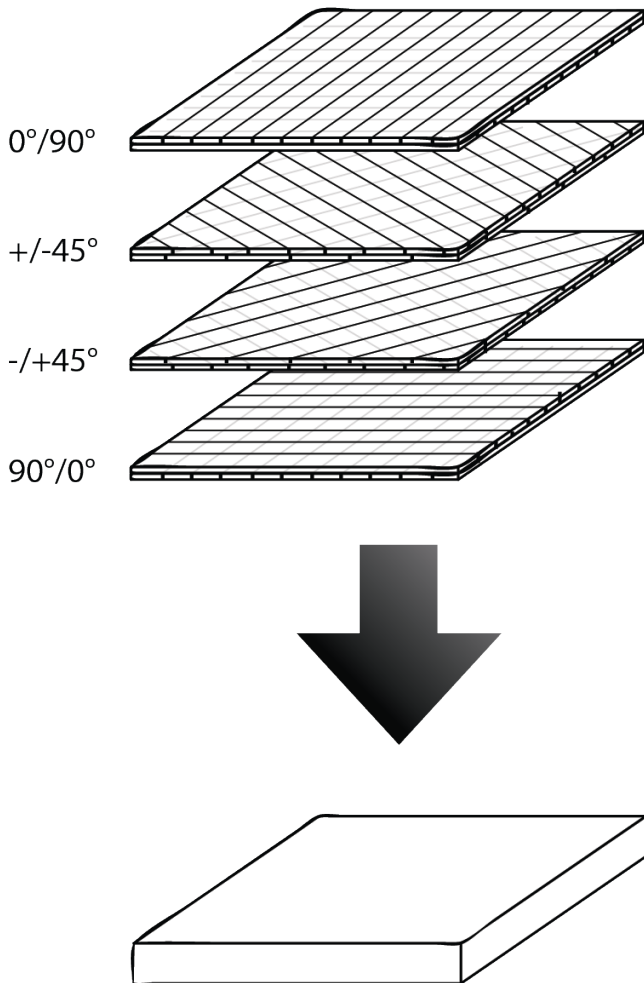
The properties listed in this datasheet do not constitute any warranty or guarantee of values. This information should only be used for the purposes of material selection. Please contact us for more details.



# ZOLTEK™ PX35 MULTI-DIRECTIONAL FABRICS

MATERIAL FIBER PROPERTIES	SI	US
Tensile Strength	4,137 MPa	600 ksi
Tensile Modulus	242 GPa	35 msi
Electrical Conductivity	0.00155 ohm-cm	0.00061 ohm-in
Density	1.81 g/cc	0.065 lb/in <sup>3</sup>
Fiber Diameter	7.2 microns	0.283
Carbon Content	95%	

*The properties listed in this datasheet do not constitute any warranty or guarantee of values. This information should only be used for the purposes of material selection. Please contact us for more details.*



## TYPICAL PACKAGING

Wound on a cardboard cone, sealed in polyethylene bag, and placed in a cardboard box. Rolls stacked horizontally on pallets when shipping.

Standard Width: 1,270 mm +/- 20

Standard Roll Length: 50 m

+ Custom widths and roll lengths may be available upon request.

## CERTIFICATION

ZOLTEK PX35 Fabrics are manufactured in accordance with ZOLTEK's written and published data. A Certificate of Conformance is provided with each shipment.

## SAFETY

Obtain, read, and understand the Material Safety Data Sheet (SDS) before use of this or any other ZOLTEK product.

